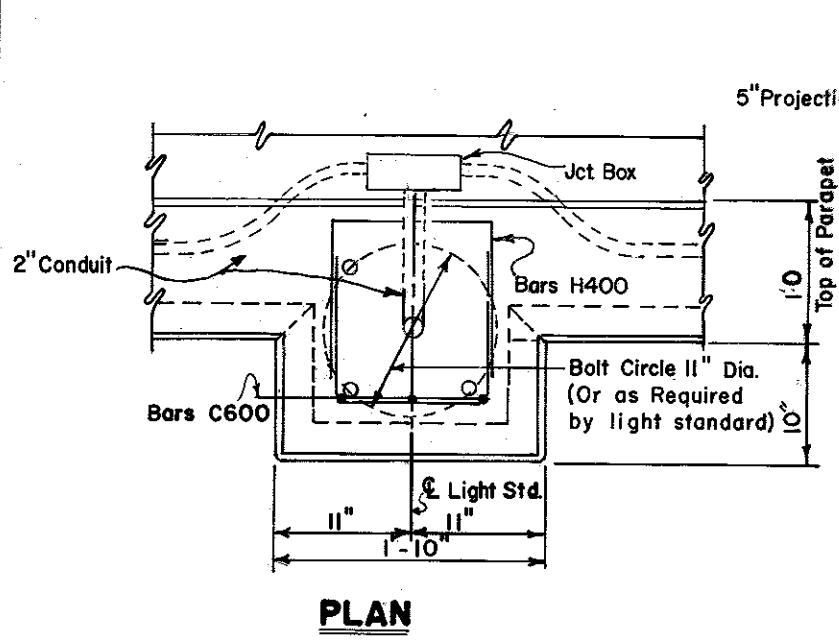
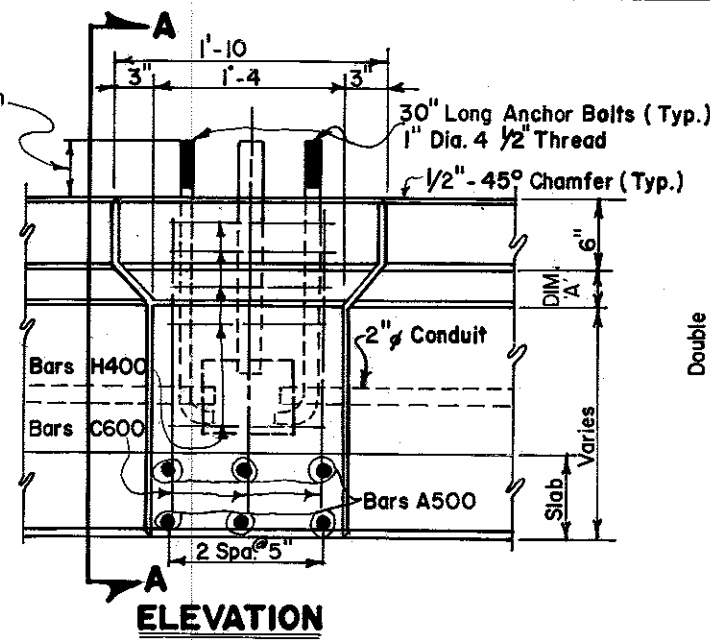


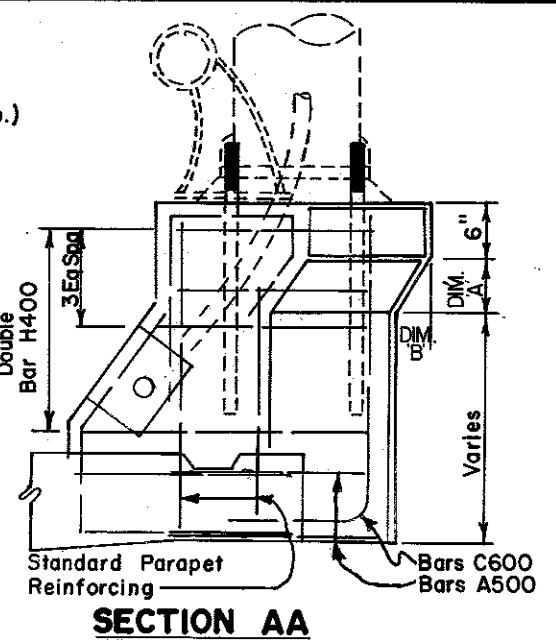
BUREAU ENGINEER, DRAFTSMAN, E.W.E. DATE 4/30/79 SCALE N.T.S.



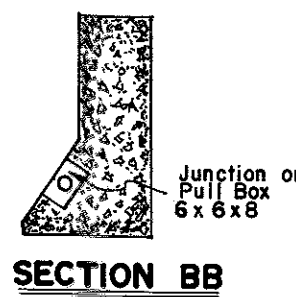
PLAN



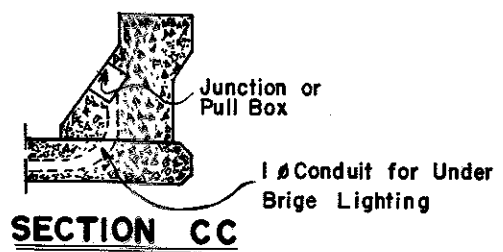
ELEVATION



SECTION AA



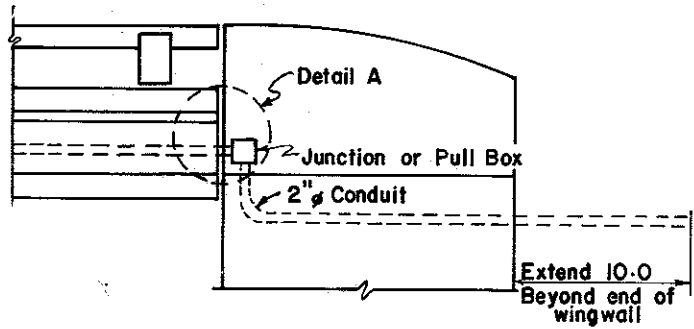
SECTION BB



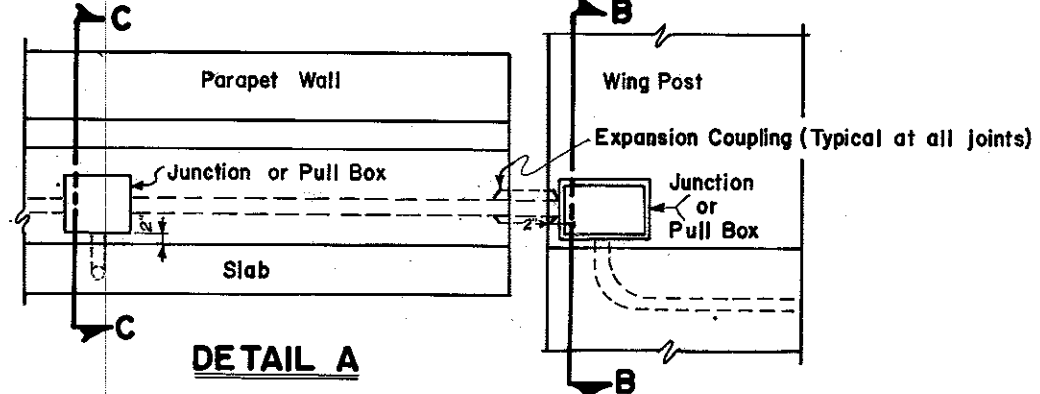
SECTION CC

REVISIONS			
NO.	DATE	BY	REMARKS
1	5-30-85	L.R.H.	REMOVED DIV. OF PUBLIC WORKS (T. BLK.)
2	3-1-88	D.H.G.	REMOVED DEPARTMENT (T. BLK.)
3	2-14-03	M.E.M.	REV. BOLT CIRCLE, QUANTITIES & STD. DWGS.

CONVERSIONS	
ENGLISH	METRIC



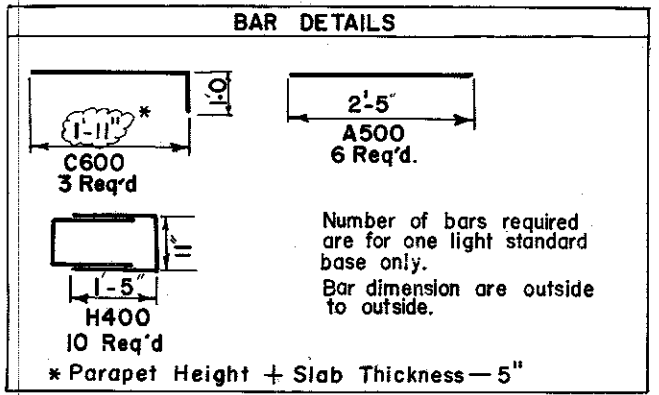
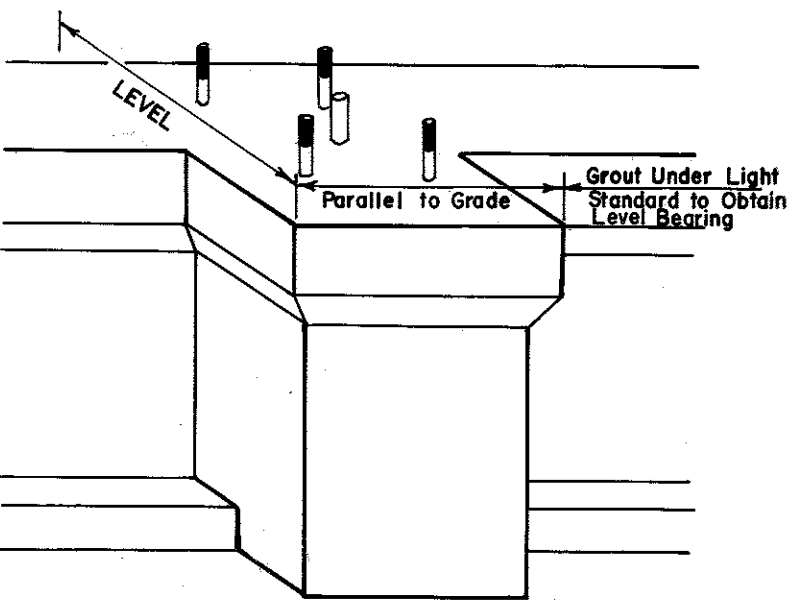
ELEVATION AT ABUTMENT



DETAIL A

ESTIMATED QUANTITIES PER LIGHT STANDARD SUPPORT

Class A Concrete	Reinforcing Steel
0.15 Cu. Yds.	67 Lbs.



	DIM A	DIM B
With Std. DWG STD-I-1	2"	2"
With Std. DWG STD-II-1	4 1/4"	3"

NOTE: These Support Details are intended for light support only, and should not be used for strain poles

CITY OF MEMPHIS
DIVISION OF ENGINEERING

**DESIGN STANDARD
FOR
LIGHT STANDARD
SUPPORT DETAILS**

<i>Ray Mason</i> PRINCIPAL CIVIL ENGINEER	7-5-79 DATE
<i>J. J. Janner Jr.</i> DEPUTY DIRECTOR/CIVIL ENGINEER	7-5-79 DATE