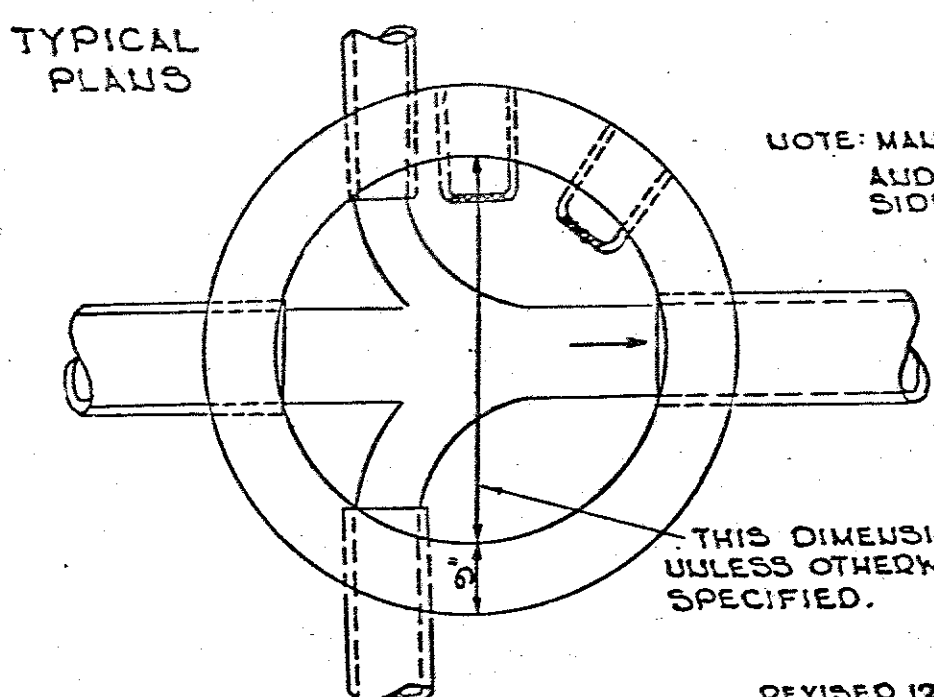
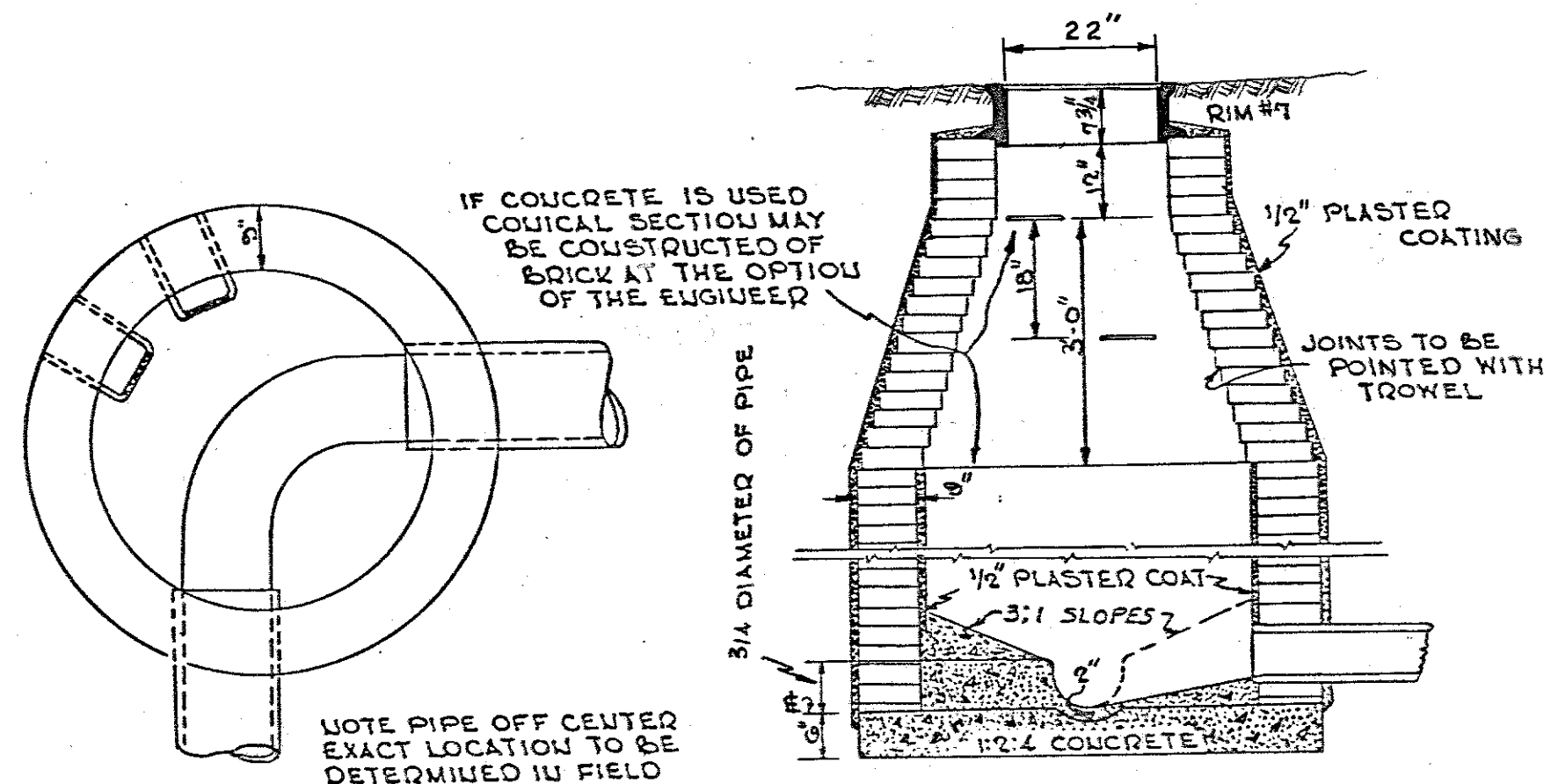


BUREAU ENGINEER DRAFTSMAN DATE SCALE

REVISIONS			
NO.	DATE	BY	REMARKS
1	5-7-85	L.R.H.	REMOVED DIV. OF PUBLIC WORKS (T. BLK.)
2	3-3-88	D.H.G.	REMOVED DEPARTMENT (T. BLK.)



NOTE: MANHOLE STEPS TO BEGIN 18" ABOVE THE BENCH, AND 1 ADDITIONAL STEP TO BE PLACED ON THE SIDE OPPOSITE THE LADDER NEAR THE TOP

**STANDARD MANHOLE
UNDER 12 FT. DEEP**

MEMPHIS, TENN.

SURVEY BY _____ DATE _____ BOOK _____ P. _____
 DRAFTSMAN O.L.A. DATE 12-10-57 SCALE 1/2"=1'
 APPROVED *G. E. Maxm* OFFICE ENGINEER
 APPROVED *M. B. [Signature]* CITY ENGINEER

REVISED 12-10-57
 REVISED 5-5-59

CITY OF MEMPHIS
 DIVISION OF ENGINEERING

**DESIGN STANDARD
 FOR
 DRAIN MANHOLE (BRICK)**

CITY ENGINEER _____ DATE _____