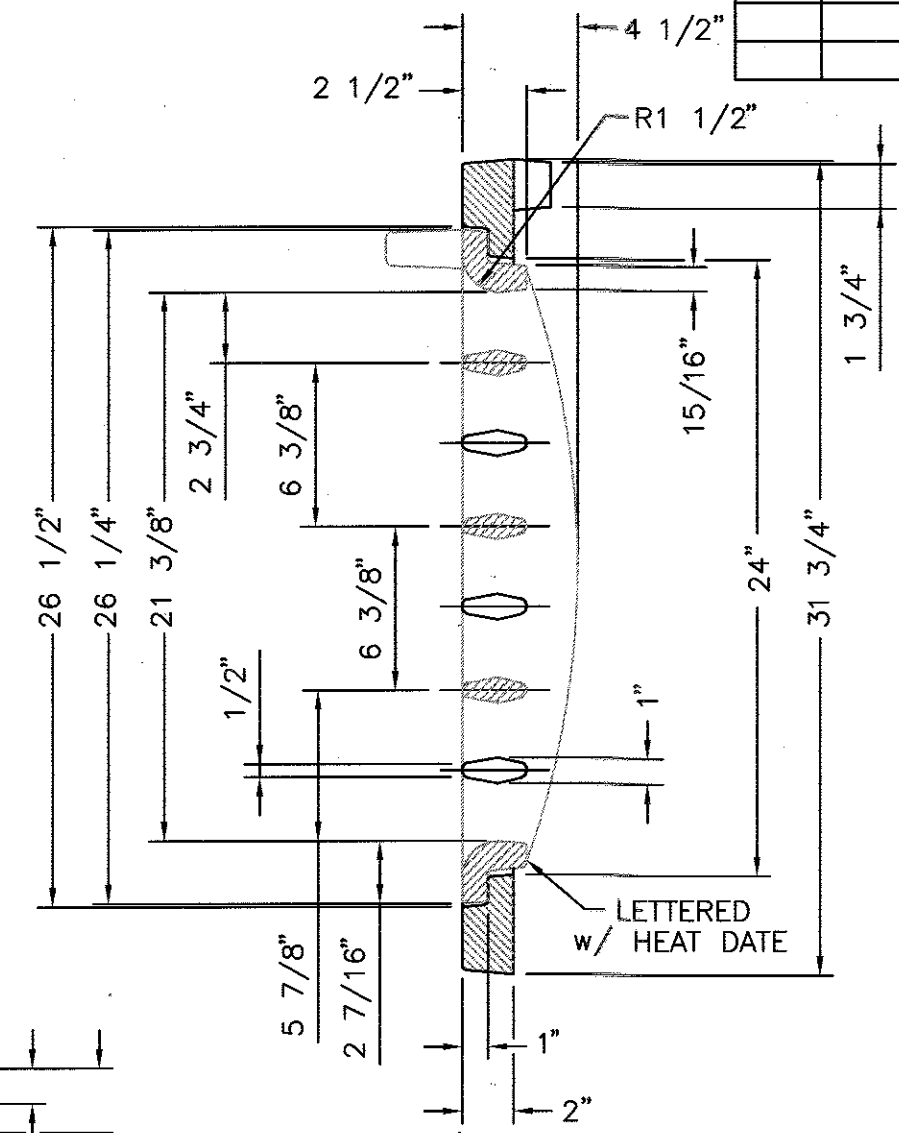
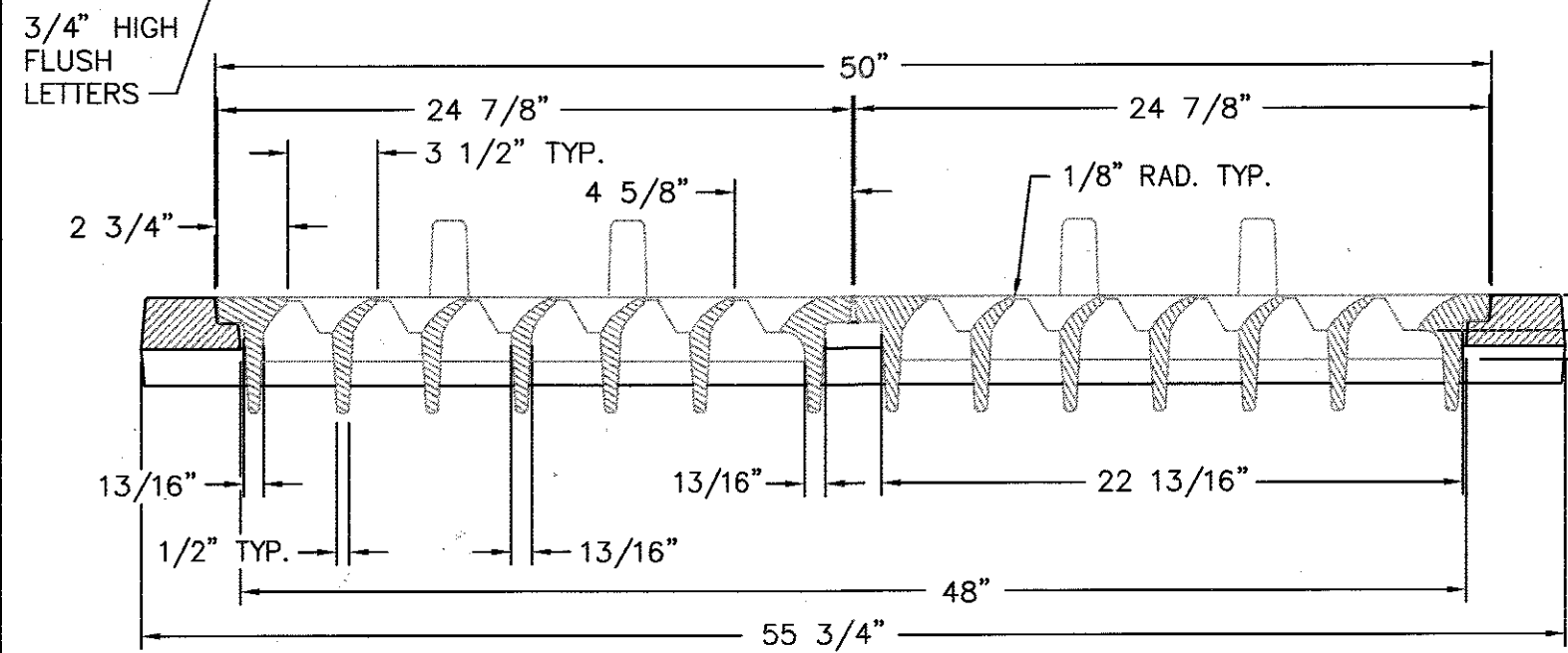
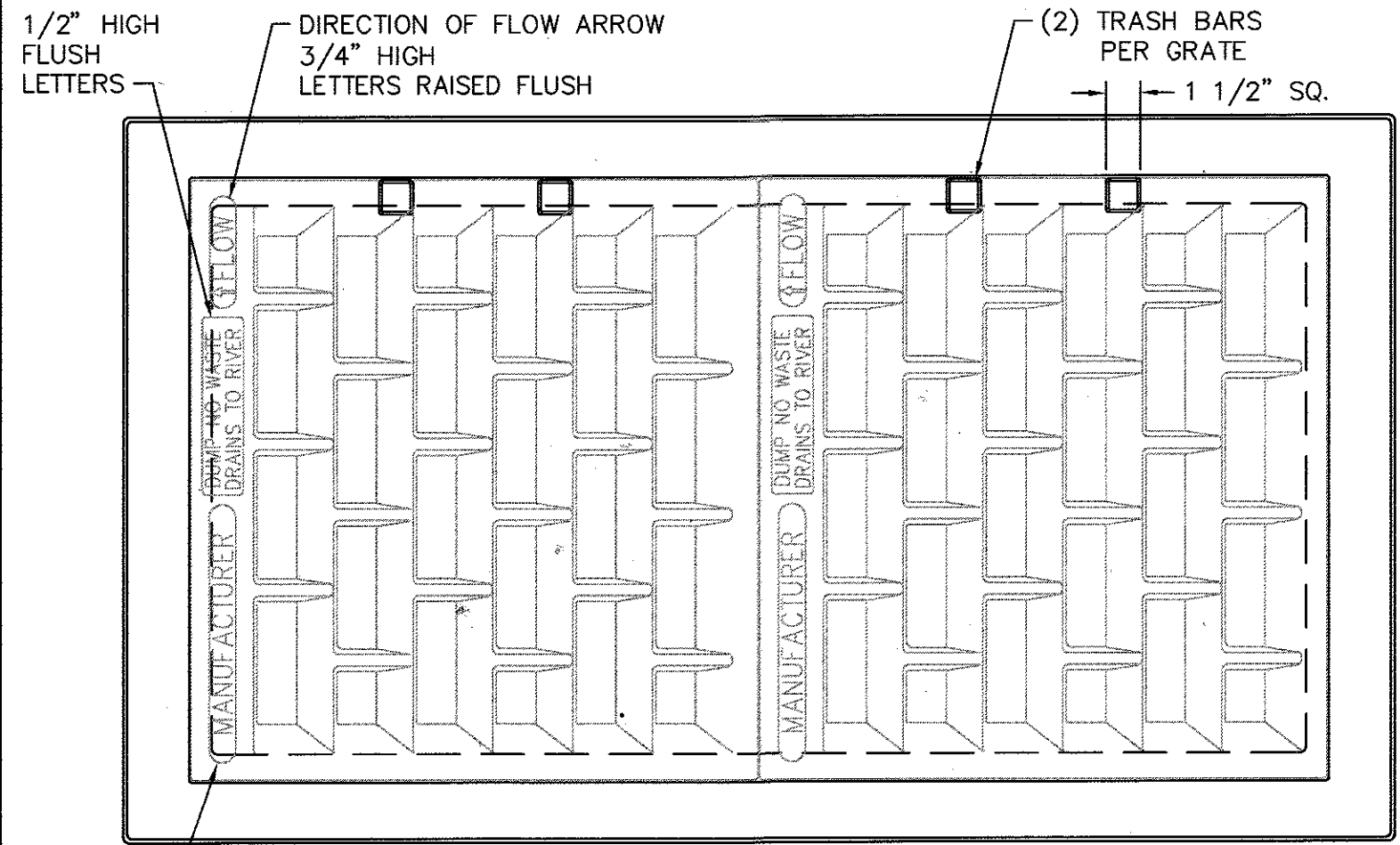
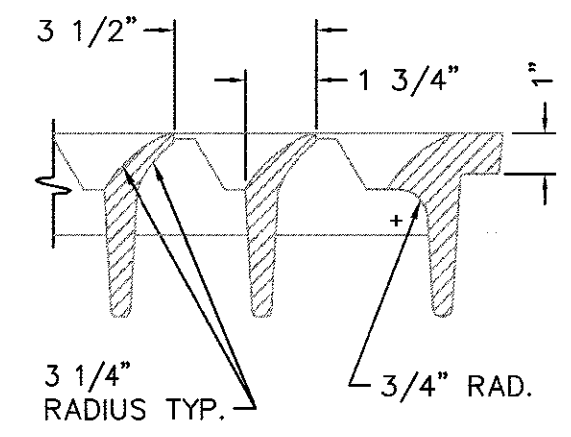


AutoCAD File: STD52 BUREAU: CIVIL DESIGN BUREAU ENGINEER: DRAFTSMAN: L.R.H. DATE: 2-03 SCALE: N.T.S.

REVISIONS			
NO.	DATE	BY	REMARKS
△	9-3-03	L.R.H.	GRATE / FLOW NOTE ✓



NOTE: LEFT FLOW (L) GRATE SHOWN. RIGHT FLOW (R) GRATE SHALL BE OPPOSITE HAND.



DETAIL OF SECTION

- NOTE:**
1. ALL DRAFT ON GRATE IS 5° UNLESS CALLED OUT.
 2. OPEN AREA OF GRATE IS 624 SQ. IN.

MATERIAL: CAST GRAY IRON ASTM A-48, CLASS 35B
 FINISH: NO PAINT
 WEIGHT: FRAME 317 LBS.
 EACH GRATE APPROX. 175 LBS.

CITY OF MEMPHIS
 DIVISION OF ENGINEERING

DESIGN STANDARD
 FOR
ALTERNATE RIM AND GRATE FOR 6-72 INLET

Wain Castino
 CITY ENGINEER

6/17/03
 DATE