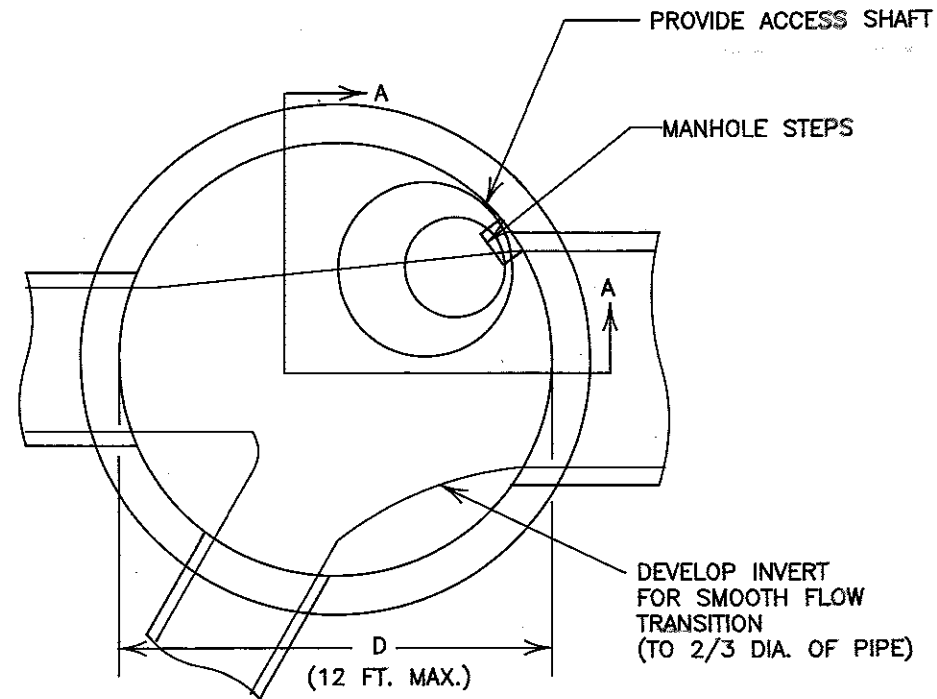
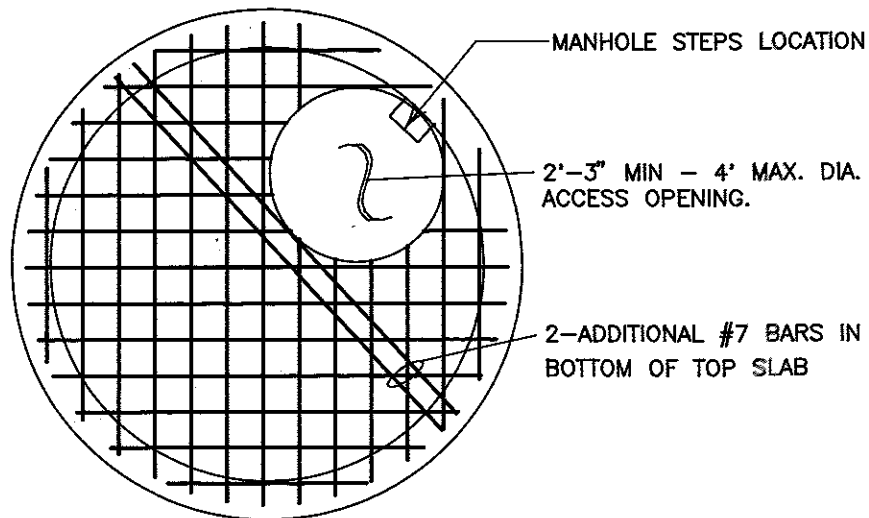


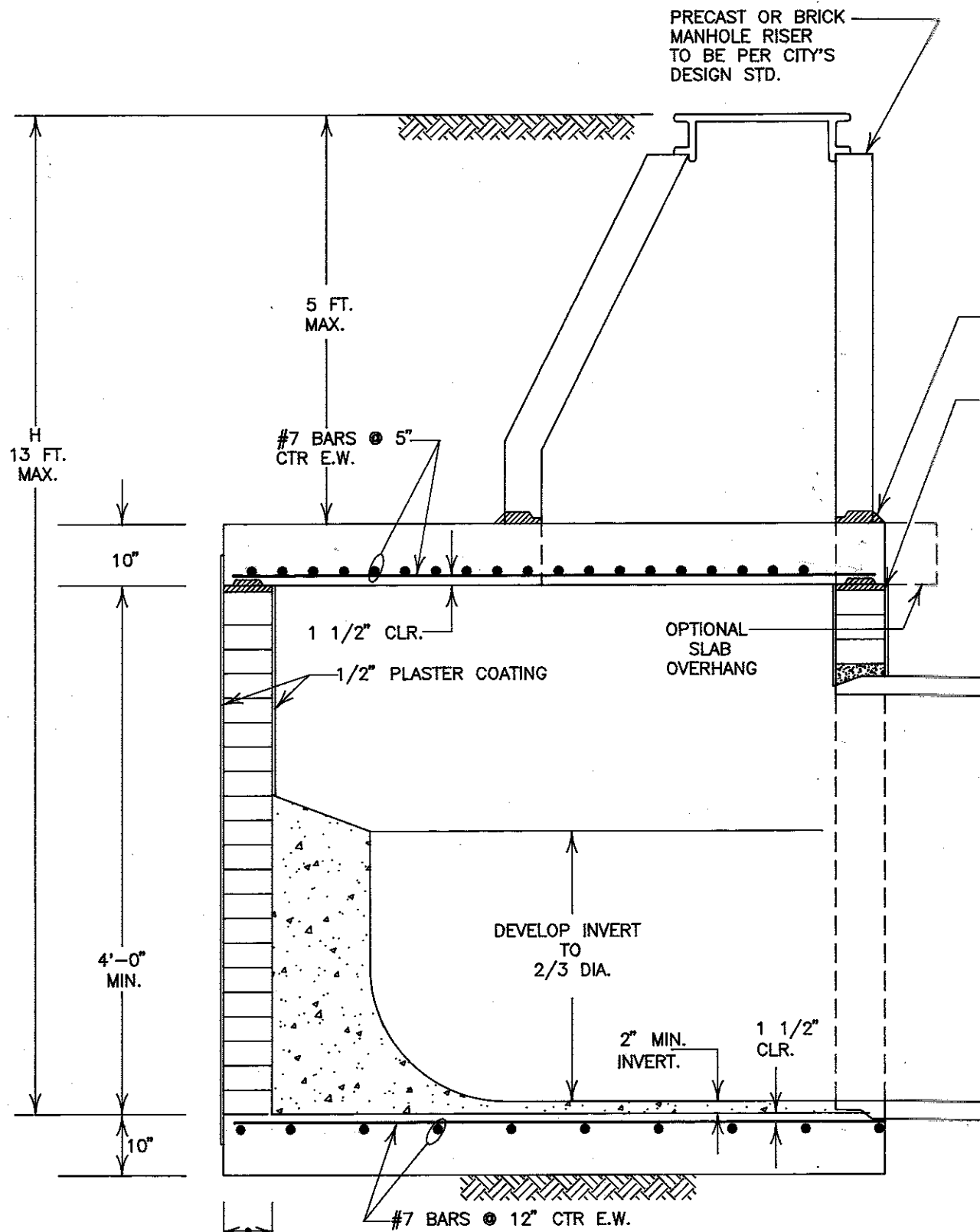
REVISIONS			
NO.	DATE	BY	REMARKS
1	11-25-96	C.B.W.	GENERAL NOTES CORRECTED.



TYP. INVERT PLAN



TOP SLAB REINFORCEMENT PLAN



BROKEN SECTION A-A

9" BRICK WALL IF H < 6'-0"
13" BRICK WALL IF H > 6'-0"

SEE NOTE # 1

SEE NOTE # 2

GENERAL NOTES

1. PROVIDE A MORTAR BED TO SET THE FIRST MANHOLE SECTION. ROUGH FINISH THE TOP OF THE SLAB IN THIS AREA TO ENSURE A GOOD BOND.
2. IF THE TOP SLAB IS PRECAST, PROVIDE A MORTAR BED BETWEEN THE TOP SLAB AND THE WALLS. CAST A 2" x 4" KEYWAY IN THE BOTTOM OF THE TOP SLAB AND ROUGH FINISH THE TOP OF THE WALLS. ADEQUATE MORTAR SHALL BE USED TO FULLY FILL THE KEY.
3. MANHOLE STEPS TO BEGIN 18" ABOVE THE BENCH AND ONE ADDITIONAL STEP SHALL BE PLACED ON THE SIDE OPPOSITE THE LADDER NEAR THE TOP.
4. THE FOUNDATION MATERIAL BELOW THE JUNCTION BOX SHALL BE ADEQUATE TO SUPPORT 2000 PSF OR SHALL BE UNDERCUT TO SUITABLE MATERIAL.
5. ALL CONCRETE TO BE CLASS A CONCRETE (f_c = 4000 PSI @ 28 DAYS).
6. DESIGN LOAD: AASHTO HS20-44 WITH 0'-5' OF COVER.

ORDER OF STANDARD DIM. = D FT. DIA. BJB

CITY OF MEMPHIS
DIVISION OF ENGINEERING

DESIGN STANDARD
FOR
BRICK
JUNCTION BOX

[Signature]
CHIEF STRUCTURAL ENGINEER
[Signature]
CITY ENGINEER

11-3-95
DATE
11/3/95
DATE