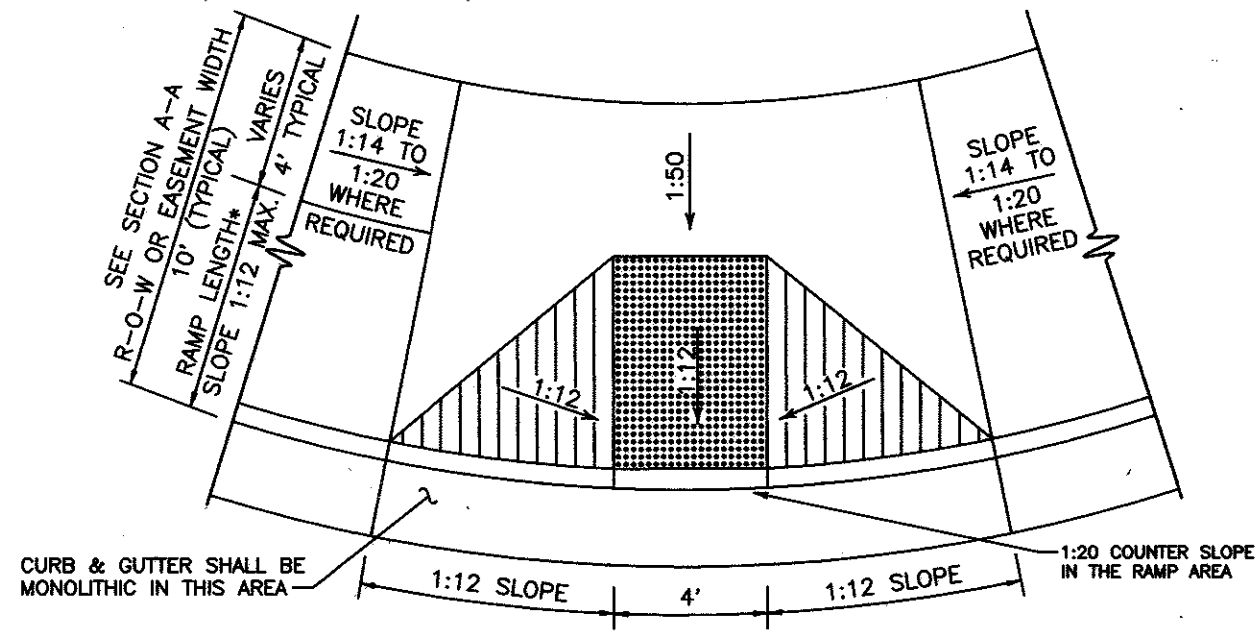
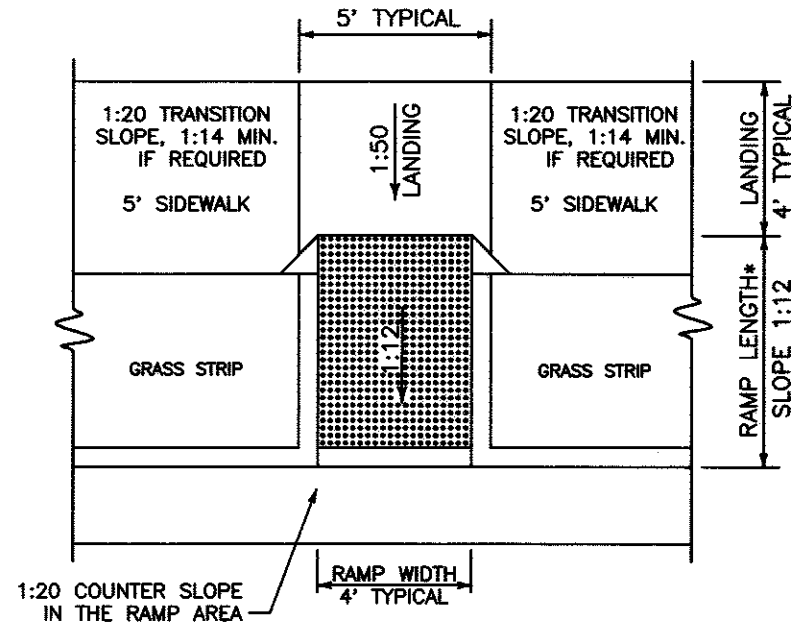
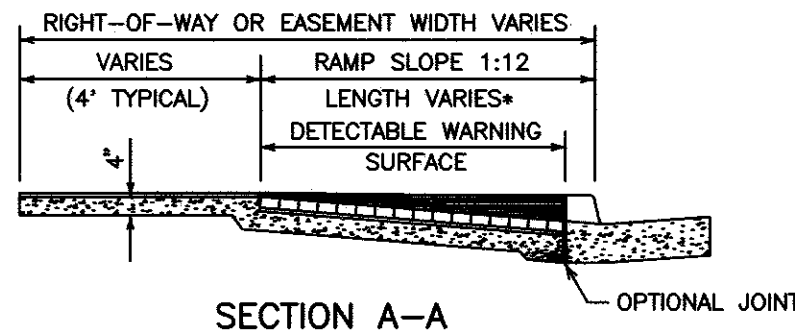
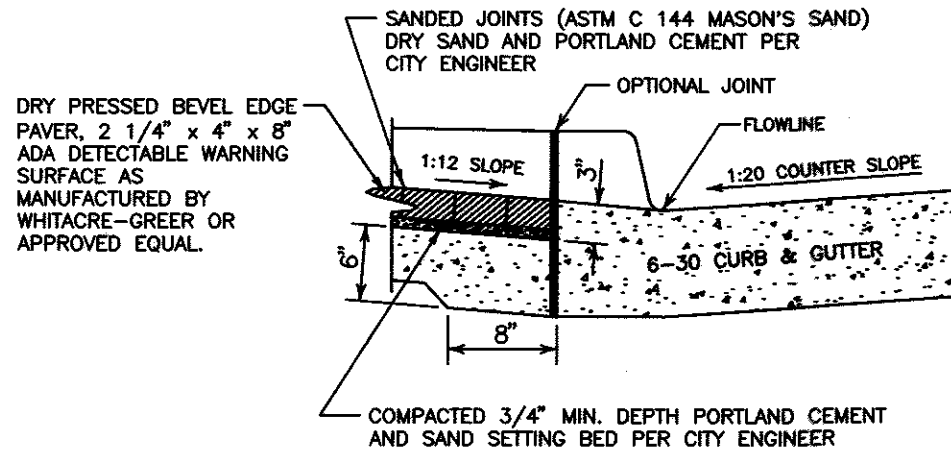


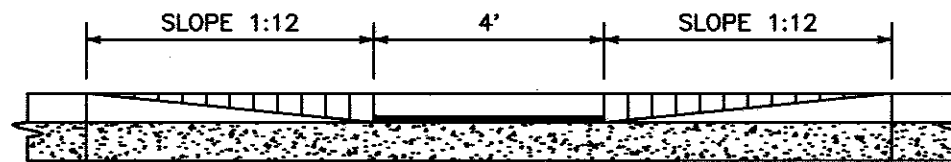
AutoCAD File: STD7A BUREAU: CIVIL DESIGN BUREAU ENGINEER: J.T.C. DRAFTSMAN: J.T.C. DATE: 2-10-03 SCALE: N.T.S.



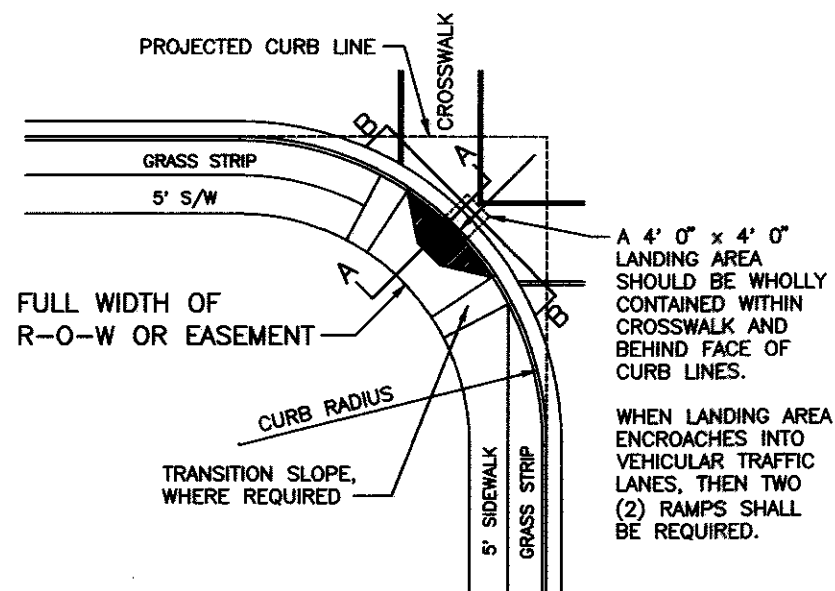
* VARIES FROM 6' TO 2.5' MINIMUM, DEPENDING ON EASEMENT OR R-O-W WIDTH. A RAMP SLOPE OF 1:14 OR FLATTER IS PREFERABLE. THE DETECTABLE WARNING SURFACE STOPS AT THE BACK OF CURB. THE NORMAL RAMP LANDING IS 4' IN DEPTH AND 4' MINIMUM WIDTH.



SECTION A-A



SECTION B-B



NOTES

- CURB RAMPS ARE TO BE LOCATED AS SHOWN ON THE PLANS, OR AS DIRECTED BY THE ENGINEER.
- SURFACE TEXTURE OF THE RAMP SHALL TRUNCATED DOMES CONFORMING TO 28 CFR Part 36, App. A, 4.29.2. AND ANSI A 117.1, 705 DETECTABLE WARNINGS.
- SURFACE COLOR OF THE RAMP SHALL CONTRAST WITH THE ADJACENT WALKWAY AND SLOPED AREAS AS DARK RAMP COLOR WITH LIGHT COLOR ON THE SIDE FLARES AND WALKWAYS PER ANSI A117.1-98, SECT. 705. COLOR OF BRICK PAVERS SHALL BE # 36, RED SUNSET AS MANUFACTURED BY WHITACRE-GREER OR APPROVED EQUAL.
- CARE SHALL BE TAKEN TO ASSURE A UNIFORM GRADE ON THE RAMPS, FREE OF SAGS AND SHORT GRADE CHANGES.
- THE LENGTH OF THE SIDE FLARES SHALL BE DETERMINED BY THE 1:12 (8.3%) MAX. SLOPE AND THE HEIGHT OF THE CURB, WITH A MAXIMUM LENGTH OF 16'. SIDEWALK BEHIND THE RAMP SHALL HAVE A CROSS SLOPE OF 1:50 (2.0%) MAX.
- SCORED LINES SHALL BE SPACED AT 6" CENTERS PARALLEL TO THE RAMP ON THE SIDE SLOPES AND BROOMED TRANSVERSE TO THE SLOPE. CURB LINES SHALL BE SCORED PARALLEL TO THE FACE OF CURB WITH NO WAVY SCORE MARKS.
- DRAINAGE STRUCTURES SHALL NOT BE PLACED IN LINE WITH RAMPS NOR HINDER PEDESTRIAN TRAFFIC AT INTERSECTIONS.
- THE CURB RAMP SHALL CONFORM WITH THE CITY OF MEMPHIS STANDARD CONSTRUCTION SPECIFICATIONS. ANY VARIATION FROM THIS STANDARD SHALL BE IN WRITING FROM THE ENGINEER OR HIS DESIGNEE. THIS STANDARD CONFORMS TO ADAAG REGULATIONS.
- THE LANDING AREA AT THE FOOT OF THE RAMP MUST BE WHOLLY CONTAINED BEHIND THE PROJECTED CURB LINES. IF LANDING AREA ENCRROACHES INTO VEHICULAR TRAFFIC LANES, THEN TWO RAMPS SHALL BE REQUIRED.
- THROUGH THE AREA OF THE RAMP, THE COUNTER SLOPE OF THE GUTTER SHALL BE 1:20 AND TRANSITIONED TO MATCH THE NORMAL GUTTER LINE PROFILE ON BOTH SIDES OF THE RAMP.

CITY OF MEMPHIS
DIVISION OF ENGINEERING

DESIGN STANDARD
FOR
CURB RAMP WITH
DETECTABLE WARNING SURFACE
FOR NEW CONSTRUCTION

REVISIONS			
NO.	DATE	BY	REMARKS
1.	03-09-06	L.R.H.	COMPLY WITH ADAAG

William Perkins
CITY ENGINEER

3/28/06
DATE