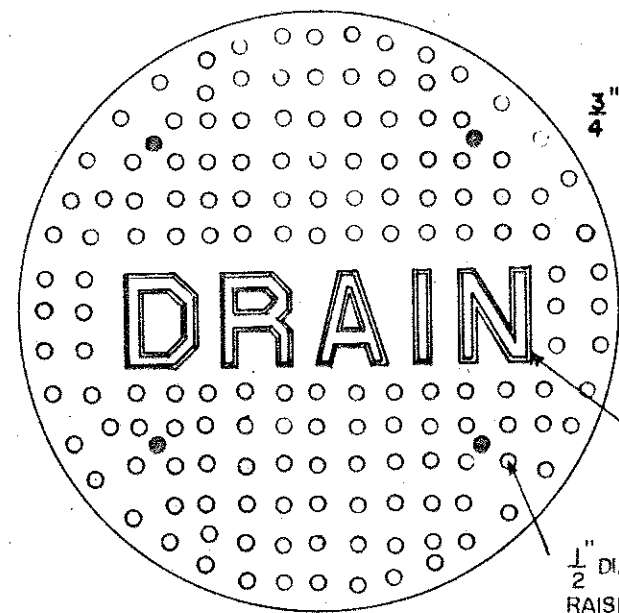
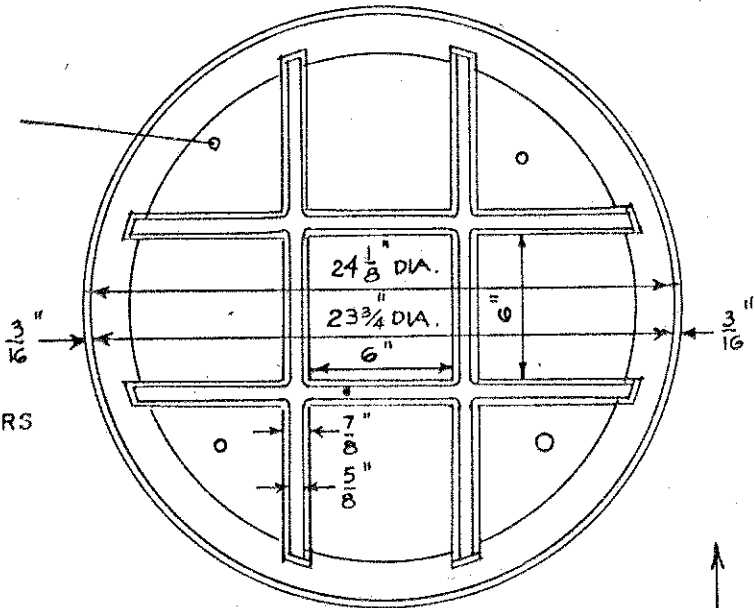


1" = 1'-0"
2
BUREAU ENGINEER
BUREAU ENGINEER
DRAFTSMAN
DATE 11-79 SCALE



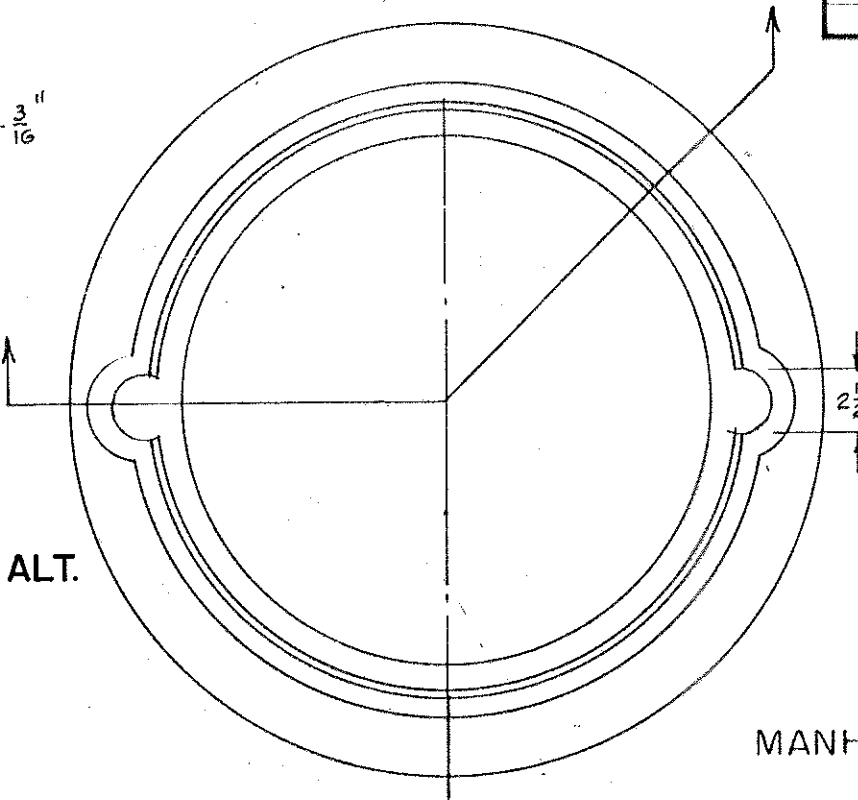
TOP PLAN

4 1/4" VENT HOLE
3 1/2" LETTERS
1/2" DIA. HOBNAIL
RAISED 3/8" ON
1/2" CENTERS



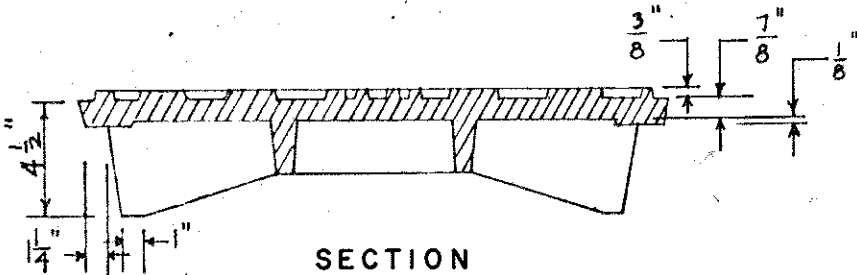
BOTTOM PLAN

MANHOLE COVER NO. 7A-ALT.

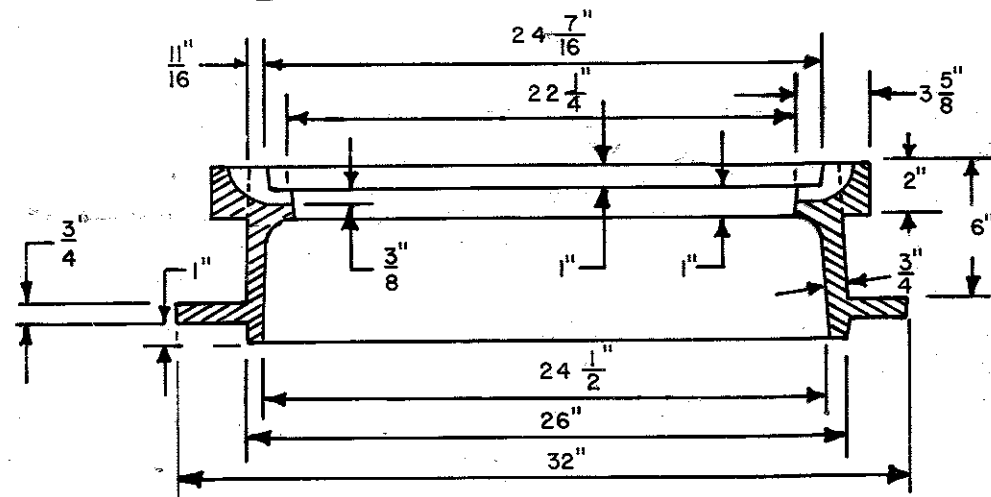


TOP PLAN

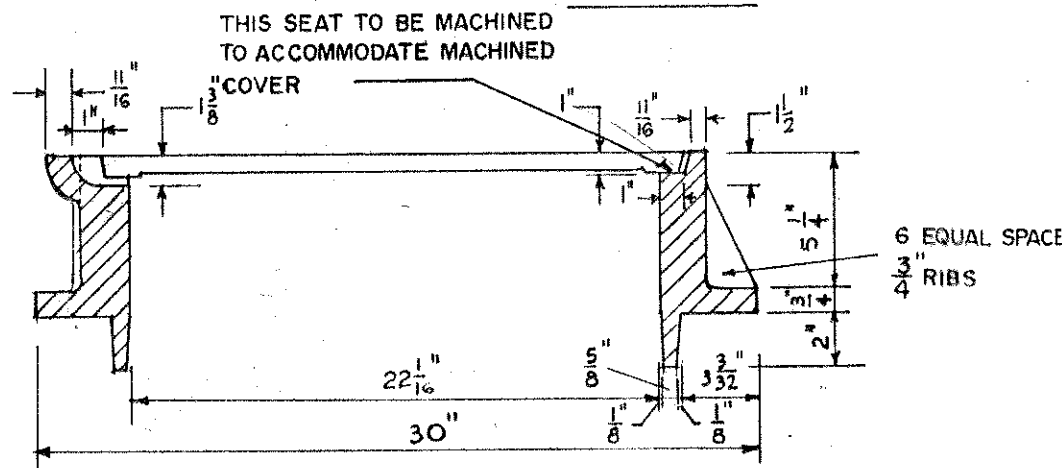
MANHOLE RIM NO. 7A-ALT.



SECTION



OPTIONAL RIM SECTION
NOT TO SCALE



SECTION

NOTE:
WEIGHT - COVER 150 lbs. MINIMUM
FRAME 200 lbs. MINIMUM

REVISIONS			
NO.	DATE	BY	REMARKS
1	5-30-85	L.R.H.	REMOVED DIV. OF PUBLIC WORKS (T. BLK.)
2	2-4-88	D.H.G.	REMOVED DEPARTMENT (T. BLK.)
3	7-14-88	D.H.G.	OPTIONAL RIM SECTION <i>gac</i>
4	2-3-11	L.R.H.	REVISED WEIGHTS <i>gac</i>

CONVERSIONS	
ENGLISH	METRIC

CITY OF MEMPHIS DIVISION OF ENGINEERING	
DESIGN STANDARD FOR NO. 7A-ALT. MANHOLE RIM AND COVER	
<i>Kay Mason</i> PRINCIPAL CIVIL ENGINEER	12-19-79
<i>J. J. Jamieson</i> DEPUTY DIRECTOR / CIVIL ENGINEER	1-2-80
	DATE