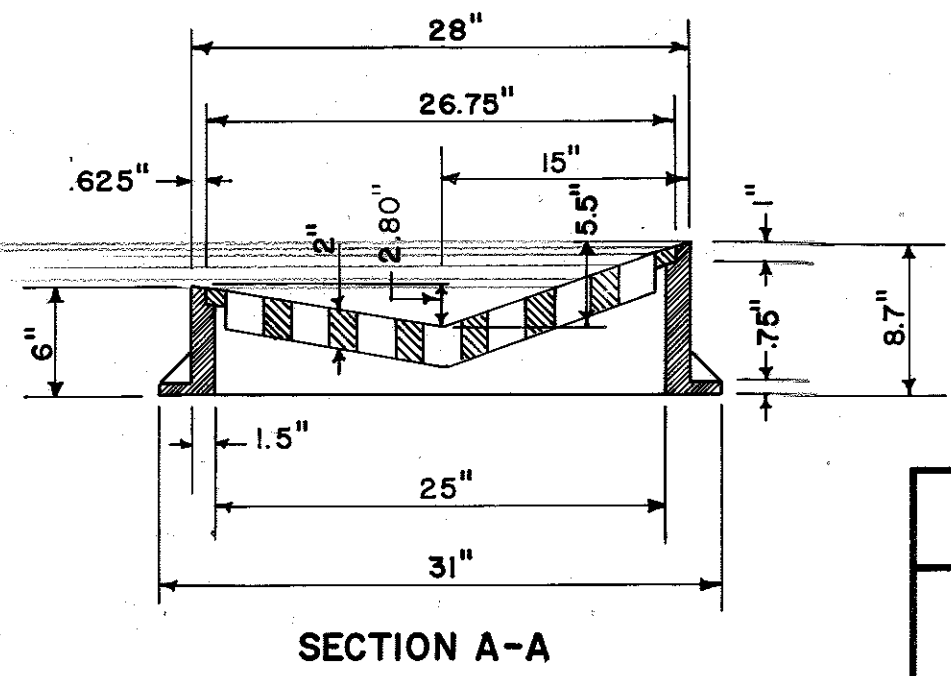
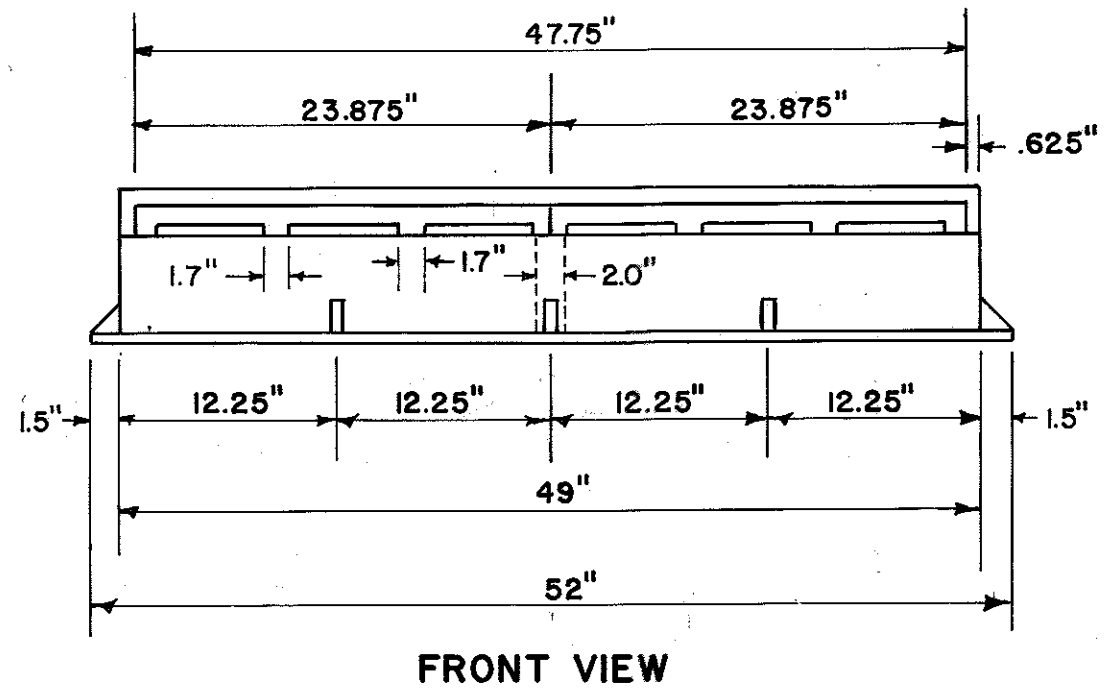
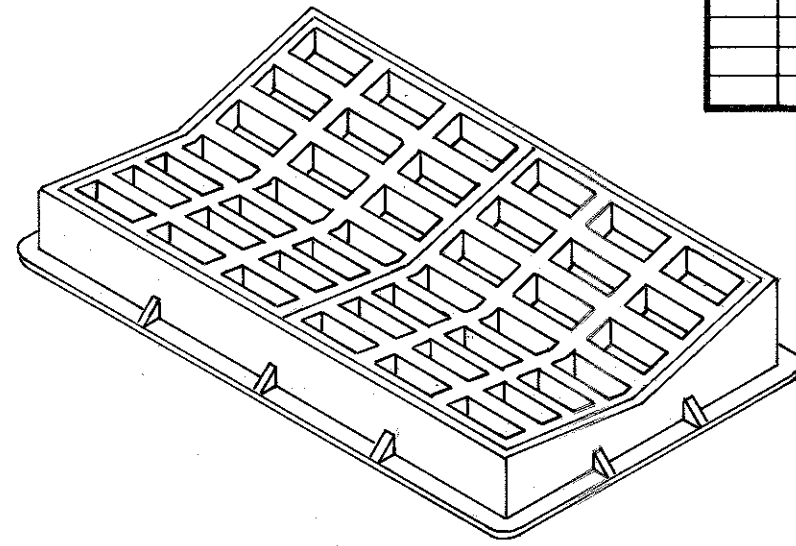
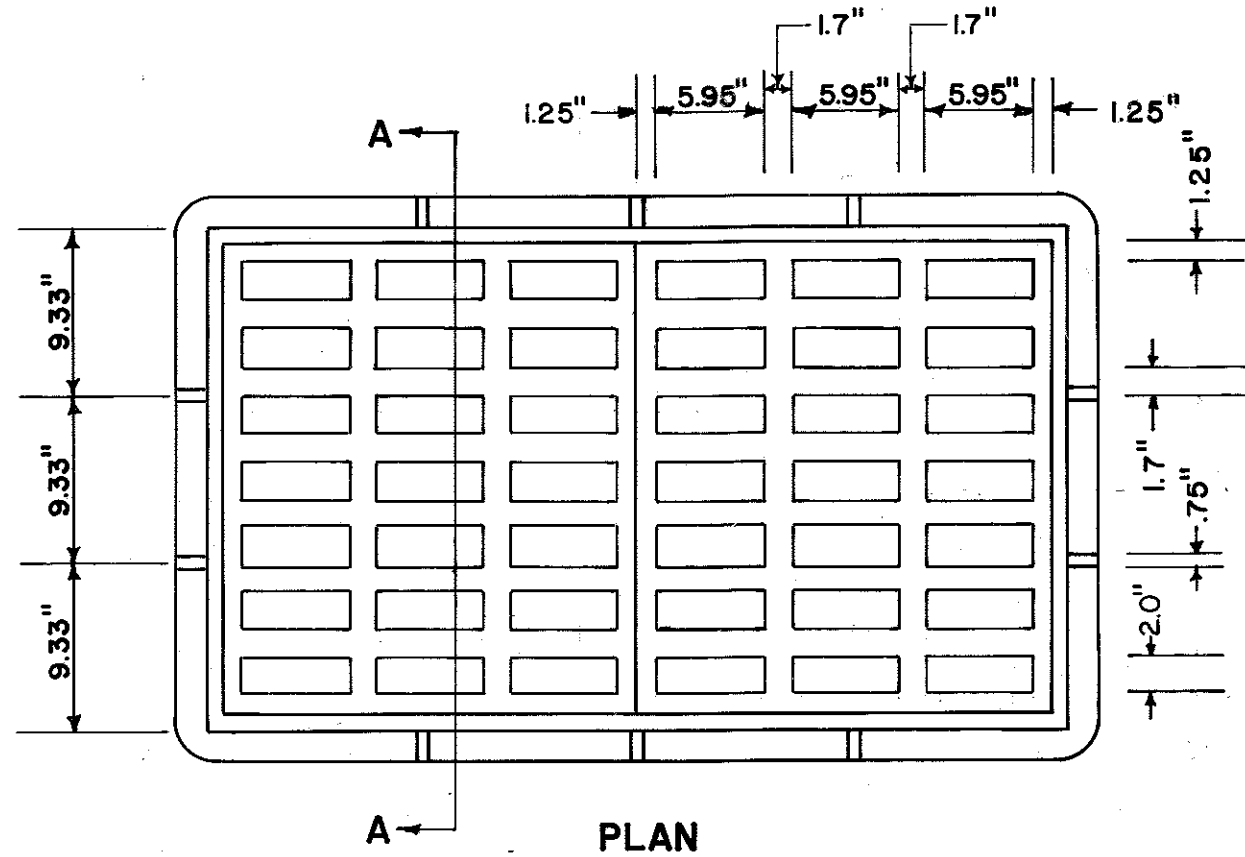


REVISIONS				
NO.	DATE	BY	REMARKS	
1	3-10-88	D.H.G.	REMOVED DEPARTMENT (T.BLK.)	



CITY OF MEMPHIS
DIVISION OF ENGINEERING

**DESIGN STANDARD
FOR
VALLEY GUTTER
INLET**

Byrant Bondurant P.E.
CITY ENGINEER

George Reed
COUNTY ENGINEER