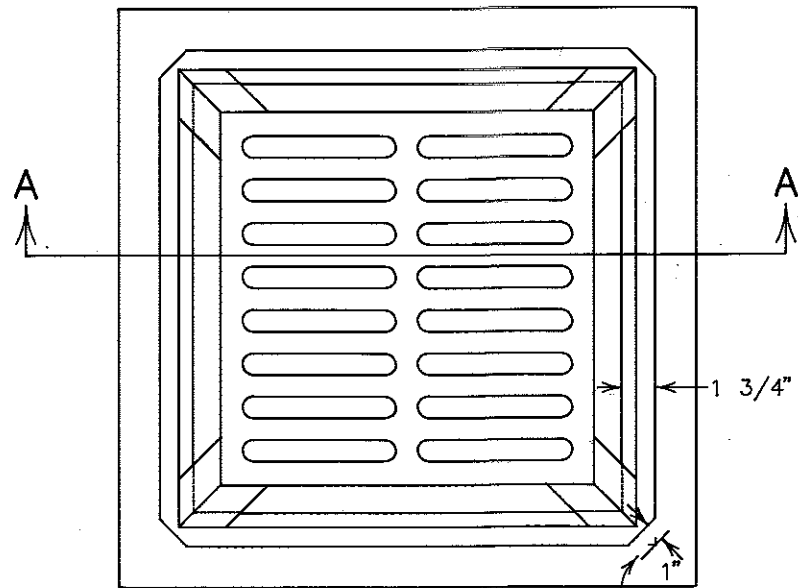
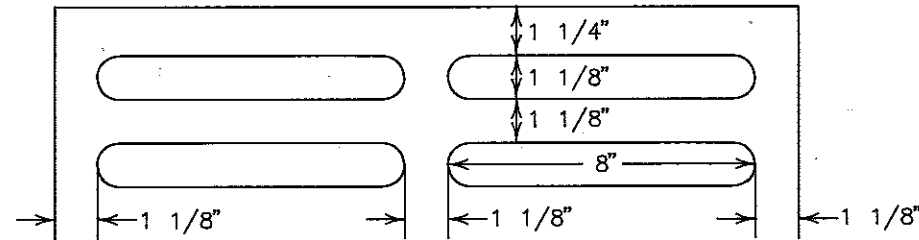


AutoCAD File: 3070IN PLOT 1=10



PLAN VIEW
N.T.S.

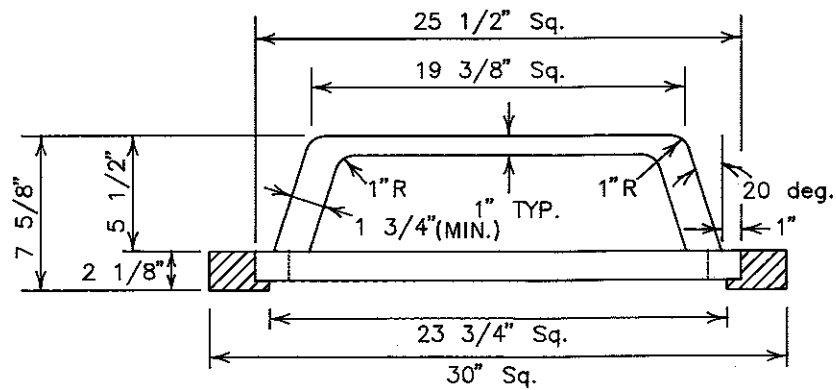


GRATE TOP DETAIL
N.T.S.

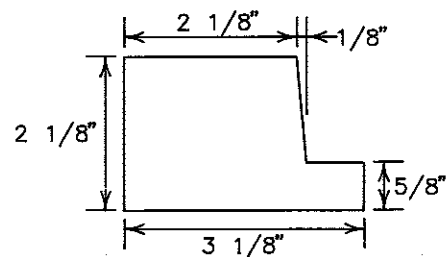
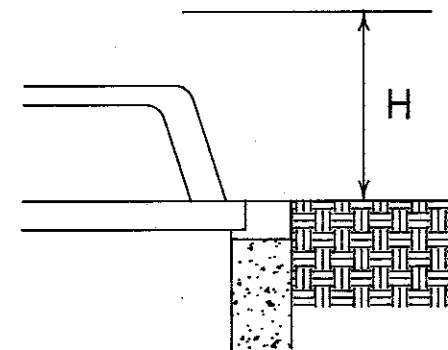
NOTE: EACH CORNER OF THE FRAME AND GRATE IS TO BE CROPPED AT A 45 DEGREE ANGLE ONE-INCH ON A DIAGONAL.

ESTIMATED WEIGHTS

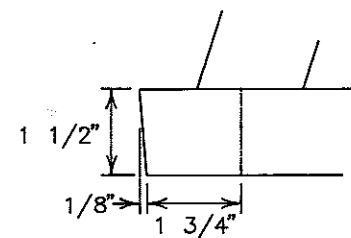
FRAME: 170 LBS.
GRATE: 156 LBS.
TOTAL: 326 LBS.



SECTION A-A
N.T.S.



FRAME EDGE DETAIL
N.T.S.



GRATE EDGE DETAIL
N.T.S.

REVISIONS

NO.	DATE	BY	REMARKS

NOTES:

- FOR INLET STRUCTURE CONSTRUCTION SEE THE CITY OF MEMPHIS DESIGN STANDARD FOR A NO. 10 INLET
- INLET CAPACITY: (WITH 50% TRASH BLOCKAGE)

H (FT.)	Q (C.F.S.)
1.0	6.6
0.8	5.6
0.6	4.4

- MAXIMUM TRIBUTARY DRAINAGE AREA ALLOWED IN INLET = 2 ACRES
MAXIMUM ALLOWABLE HEIGHT OF WATER (H) = 1. FT.
- NO TWIN 3070 INLETS ALLOWED.

CITY OF MEMPHIS
DIVISION OF ENGINEERING

DESIGN STANDARD
FOR
NO.3070-FRAME & GRATE

<i>H. J. ...</i>	6-8-93
DEPUTY CITY ENGINEER	DATE
<i>Jan ...</i>	10/11/93
CITY ENGINEER	DATE