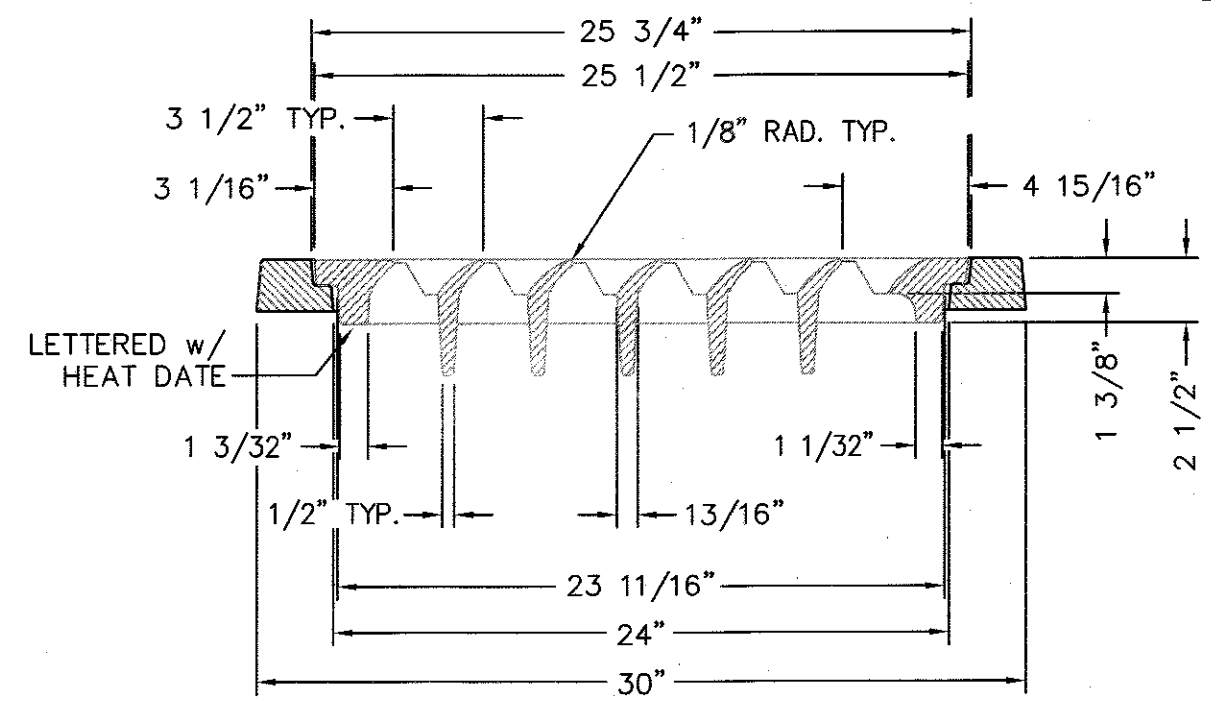
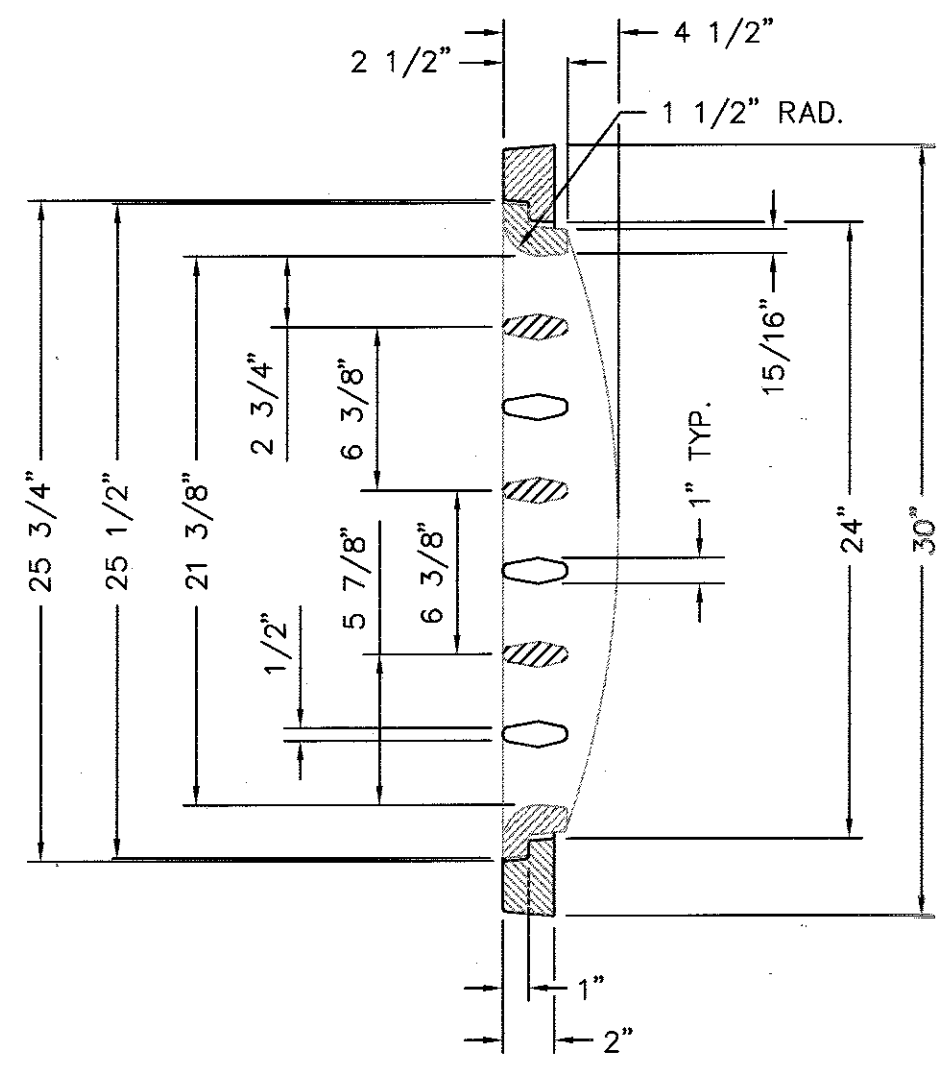
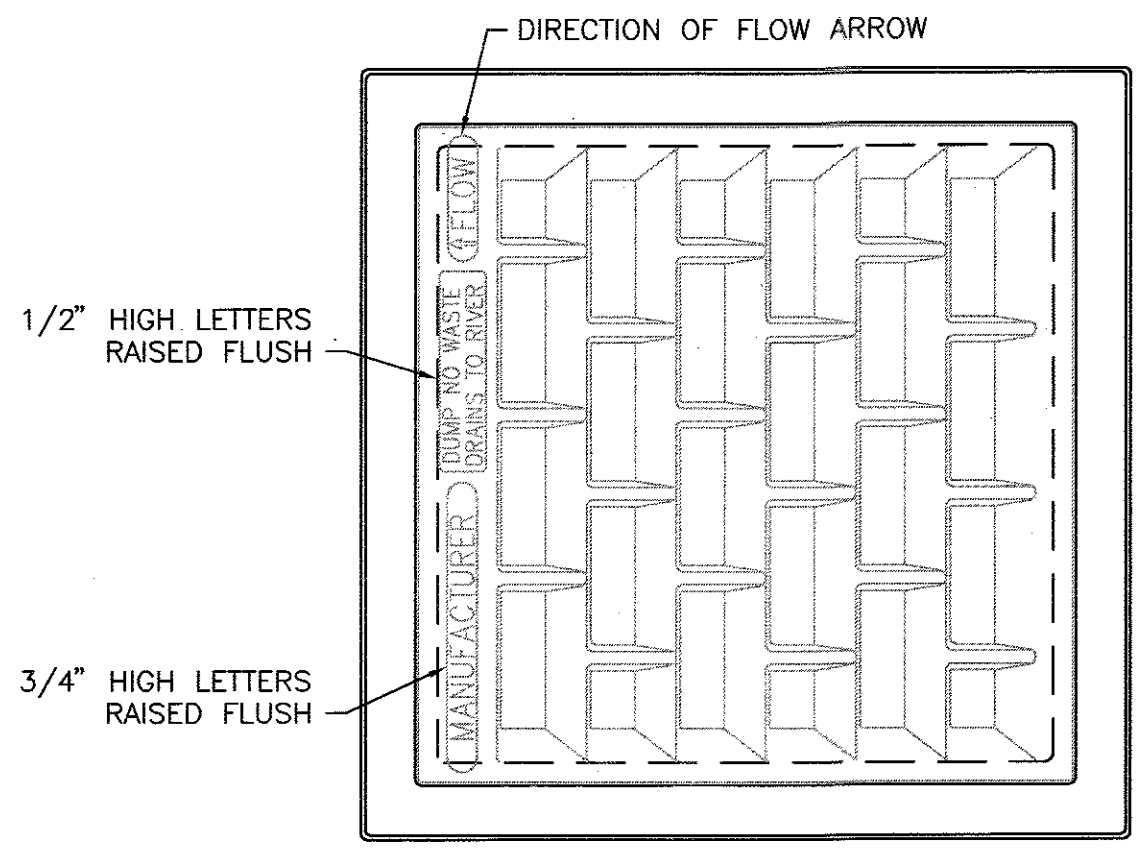
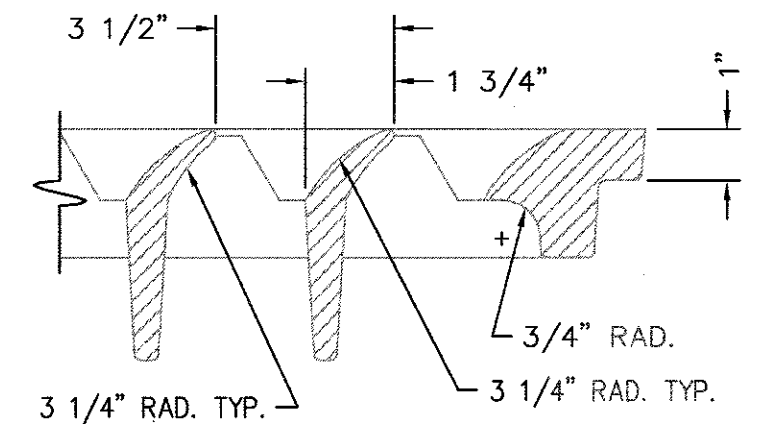


AutoCAD File: STD50 BUREAU: CIVIL DESIGN BUREAU ENGINEER: DRAFTSMAN: L.R.H. DATE: 2-03 SCALE: N.T.S.



REVISIONS			
NO.	DATE	BY	REMARKS



DETAIL OF SECTION

NOTE:

- ALL DRAFT ON GRATE IS 5° UNLESS CALLED OUT.
- OPEN AREA OF GRATE IS 312 SQ. IN.

MATERIAL:	CAST GRAY IRON	ASTM
	CLASS 35B	A48-94a
FINISH:	NO PAINT	
WEIGHT:	FRAME 155 LBS.	
	GRATE APPROX. 180 LBS.	

CITY OF MEMPHIS
DIVISION OF ENGINEERING

DESIGN STANDARD
FOR
ALTERNATE RIM AND GRATING FOR #10 INLET

Wain Cashino
CITY ENGINEER

6/17/03
DATE