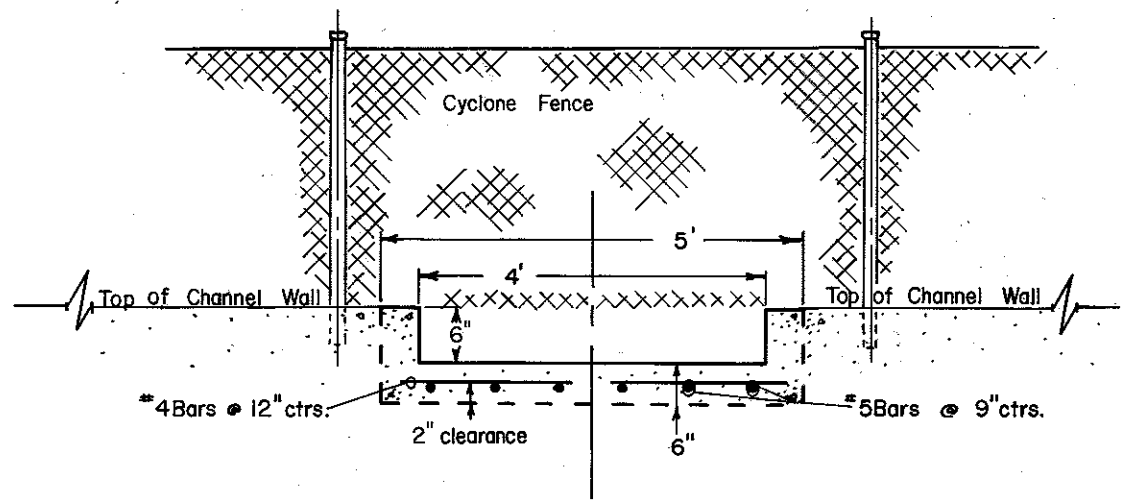
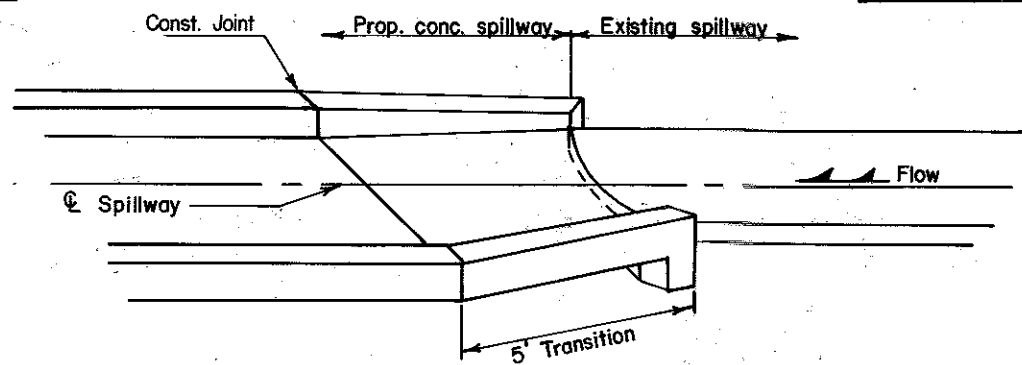
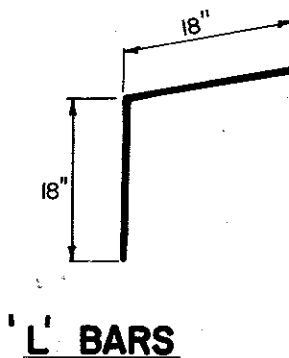


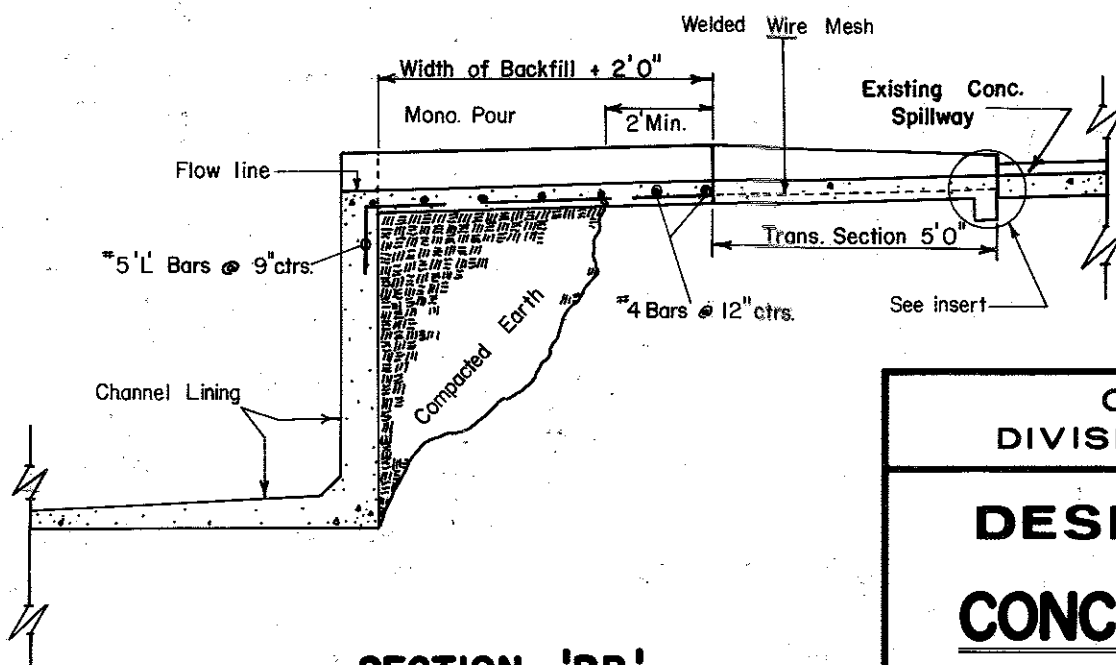
TYPICAL SECTION



SECTION 'AA'



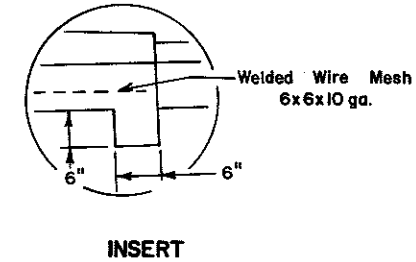
TYPICAL VIEW of the TRANSITION



SECTION 'BB'

REVISIONS			
NO.	DATE	BY	REMARKS

CONVERSIONS	
ENGLISH	METRIC



CITY OF MEMPHIS
 DIVISION OF PUBLIC WORKS

**DESIGN STANDARD
 FOR
 CONCRETE SPILLWAY**

Mami L. Jacor, P.E. 9/8/83
 CITY ENGINEER DATE

DWG. NO. 5